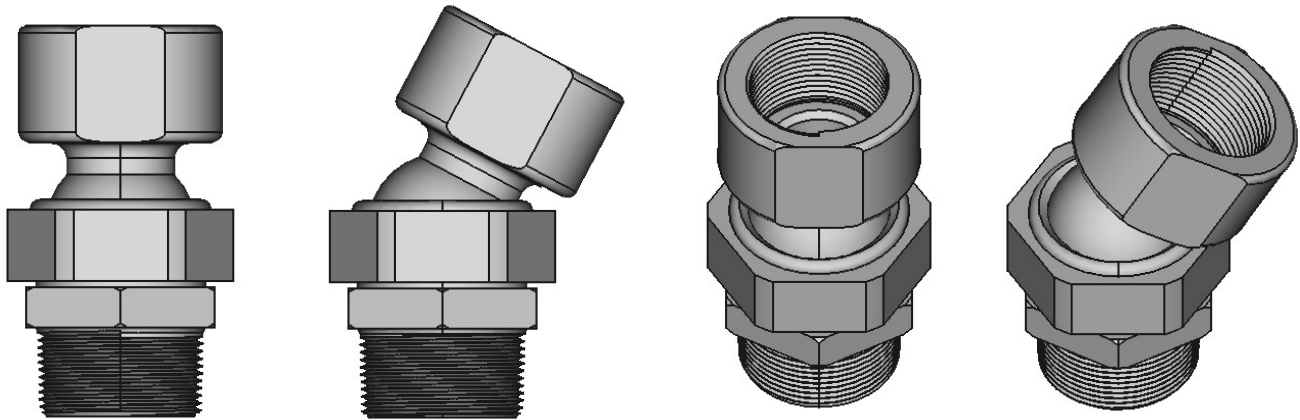


GW SWIVEL ADAPTER 1½" – ADJUSTABLE DIRECTIONAL FITTING



Description

The GW Swivel Adapter is used where system design requires **specific directional positioning of spray nozzles**, that can normally not be achieved by just pendent and horizontal mounting.

The GW Swivel Adapter unit is fitted/screwed into the fixed pipework using its 1½" male thread. The nozzle is fitted/screwed into the Swivel Adapter female 1½" thread. The female adapter part has 54mm A/F spanner flats for easy and safe fitting of the nozzle.

The GW Swivel Adapter has a Ø28mm bore (orifice) to accommodate large K-factor 1½" nozzles. The adapter ball link facilitates an axial angular adjustment of 0 - 28°. The angled position is safely locked by tightening the Swivel Adapter cap against the ball link and secured by a M6 pinion screw.

Materials

The GW Swivel Adapter is available in the material alloys normally used for on- and off shore deluge spray nozzles:

| Material | Grade (or similar) | Swivel Adapter weight |
|-------------------------|-----------------------------------|-----------------------|
| Brass | DZR / CW602N / UNS C35330 | 1,3 kg |
| Nickel Aluminium Bronze | CW307G / UNS C63000 | 1,1 kg |
| Stainless Steel, SS316 | AISI 316 / EN 1.4401 / UNS S31600 | 1,2 kg |
| Stainless Steel, SMO | EN 1.4547 / UNS S31254 / 254SMO | 1,2 kg |
| Titanium | ASTM B367 Gr. C2 / UNS R50400 | 0,67 kg |

Special alloys can be supplied on request.

If required, material certificates to EN10204 3.1 can be supplied – as well as PMI report (positive material identification) - to support material alloy documentation requirements. Such request must be specified with inquiry or PO.

GW SPRINKLER A/S
Kastanievej 15, DK-5620 Glamsbjerg, Denmark
Tel: +45 64 72 20 55 Fax: +45 64 72 22 55
E-mail: sales.dep@gwsprinkler.com

Data sheet: Swivel Adapter – 1½"

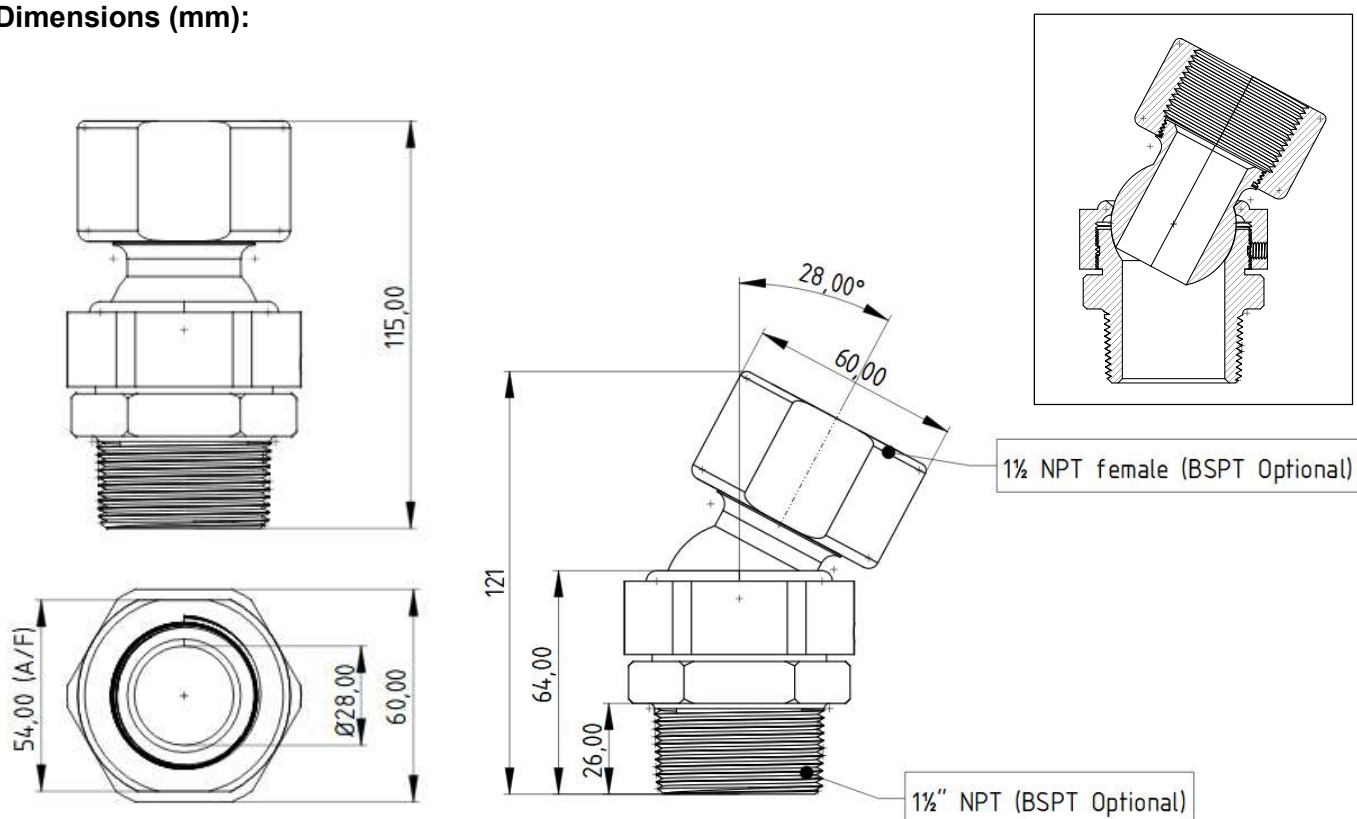
Page: 1 of 2

Date: 6 March 2023

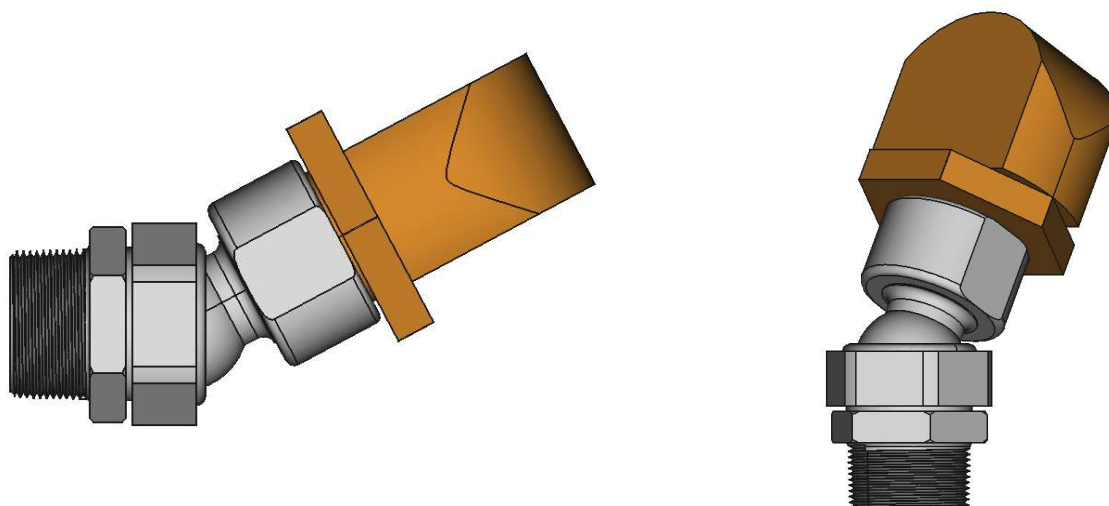
Data sheet no.: **SM101 1004 A**

GW SWIVEL ADAPTER 1½" – ADJUSTABLE DIRECTIONAL FITTING

Dimensions (mm):



Example: GW 1½" Swivel Adapter fitted with GW Thermoshield 883B nozzle



GW SPRINKLER A/S
Kastanievej 15, DK-5620 Glamsbjerg, Denmark
Tel: +45 64 72 20 55 Fax: +45 64 72 22 55
E-mail: sales.dep@gwsprinkler.com

Data sheet: Swivel Adapter – 1½"

Page: 2 of 2

Date: 6 March 2023

Data sheet no.: **SM101 1004 A**