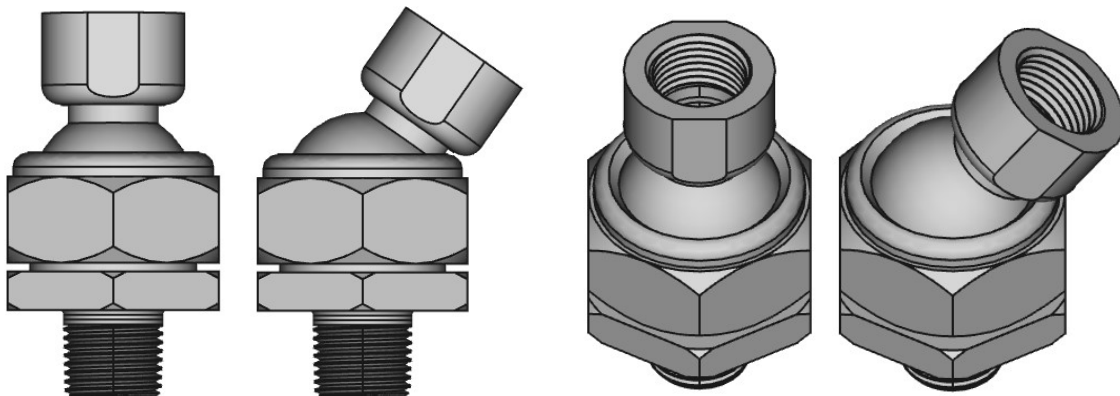


GW SWIVEL ADAPTER 1/2" – ADJUSTABLE DIRECTIONAL FITTING



Description

The GW Swivel Adapter is used where system design requires **specific directional positioning of spray nozzles**, that can normally not be achieved by just pendent and horizontal mounting.

The GW Swivel Adapter unit is fitted/screwed into the fixed pipework using its 1/2" male thread. The nozzle is fitted/screwed into the Swivel Adapter female 1/2" thread. The female adapter part has 28mm A/F spanner flat for easy and safe fitting of the nozzle.

The GW Swivel Adapter has a Ø15mm bore (orifice) to accommodate large K-factor 1/2" nozzles. The adapter ball link facilitates an axial angular adjustment of 0 - 37°. The angled position is safely locked by tightening the Swivel Adapter cap against the ball link.

Materials

The GW Swivel Adapter is available in the material alloys normally used for on- and off shore deluge spray nozzles:

| Material | Grade (or similar) |
|-------------------------|-----------------------------------|
| Brass | DZR / CW602N / UNS C35330 |
| Nickel Aluminium Bronze | CW307G / UNS C63000 |
| Stainless Steel, SS316 | AISI 316 / EN 1.4401 / UNS S31600 |
| Stainless Steel, SMO | EN 1.4547 / UNS S31254 / 254SMO |
| Titanium | ASTM B367 Gr. C2 / UNS R50400 |

Special alloys can be supplied on request.

If required, material certificates to EN10204 3.1 can be supplied – as well as PMI report (positive material identification) - to support material alloy documentation requirements. Such request must be specified with inquiry or PO.

GW SPRINKLER A/S

Kastanievej 15, DK-5620 Glamsbjerg, Denmark
Tel: +45 64 72 20 55 Fax: +45 64 72 22 55
E-mail: sales.dep@gwsprinkler.com

Data sheet: Swivel Adapter – 1/2"

Page: 1 of 2

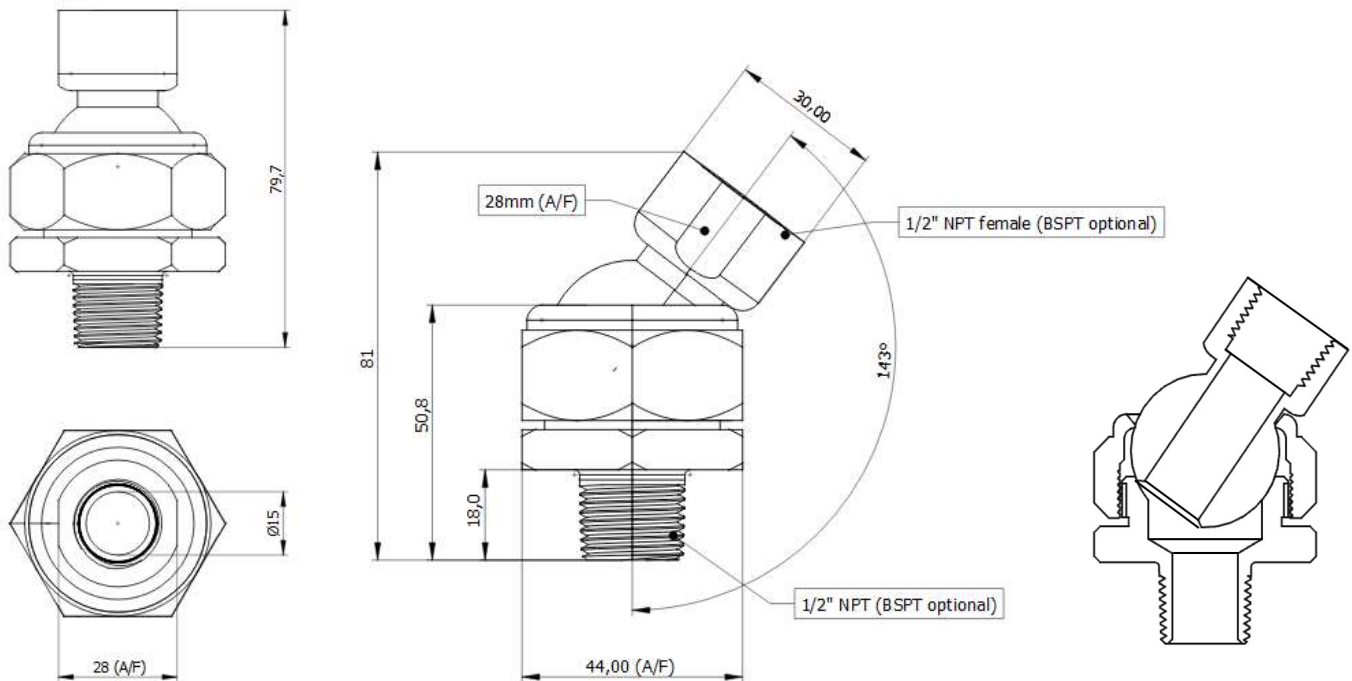
Date: 20 January 2022

Data sheet no.: **SM101 1001 A**

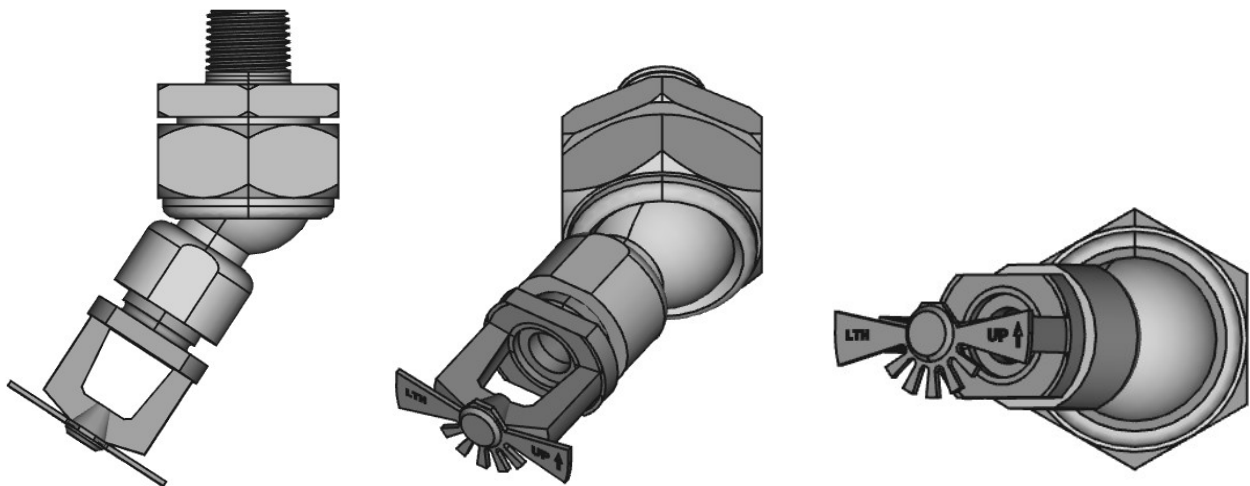
The right is reserved to vary or modify any specifications without prior notice.

GW SWIVEL ADAPTER 1/2" – ADJUSTABLE DIRECTIONAL FITTING

Dimensions:



Example: GW Swivel Adapter fitted with GW LTH nozzle



GW SPRINKLER A/S

Kastanievej 15, DK-5620 Glamsbjerg, Denmark
Tel: +45 64 72 20 55 Fax: +45 64 72 22 55
E-mail: sales.dep@gwsprinkler.com

Data sheet: Swivel Adapter – 1/2"

Page: 2 of 2

Date: 20 January 2022

Data sheet no.: **SM101 1001 A**

The right is reserved to vary or modify any specifications without prior notice.