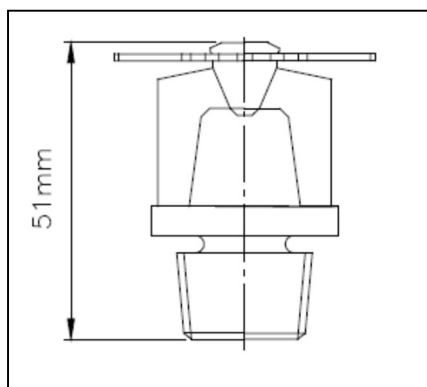


GW-DD LTH (LONG THROW HORIZONTAL) ATRIUM

Large open spaces with excessive ceiling heights, like Atriums in modern buildings, are challenging when it comes to fire protection. Due to physical and aesthetical restrictions ceiling mounted sprinklers are not desired, which calls for alternative solutions. Ordinary horizontal sidewall sprinklers may not have the spray capacity to provide the extended coverage required to reach the centre of an atrium space.

The GW-DD LTH nozzle is developed and optimized for maximum throw length, and is ideal for atrium fire protection applications.

LTH



TYPE	Long Throw Horizontal (LTH)
INSTALLATION ANGLE	Horizontal (0°)
RTI	Open Nozzle
MATERIAL	
Yoke	Brass
Deflector	Stainless Steel
FINISH	
Yoke	Chrome plated
Deflector	Natural
THREAD	1/2" BSPT male
K-FACTOR	80 +/-4 (metric)
WORKING PRESSURE	2 bar (nominal)
COVERAGE (W x L)	2,5 x 8m (20 m ²)
SPACING	2,5m (max.)
APPROVAL	LPCB

GW SPRINKLER A/S

Kastanievej 15, DK-5620 Glamsbjerg, Denmark
Tel: +45 64 72 20 55 Fax: +45 64 72 22 55
E-mail: sales.dep@gwsprinkler.com

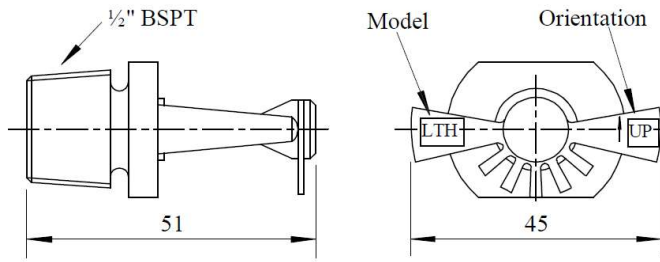
Data sheet no.: **GW WS045 1001B**

Data sheet: **GW-DD LTH**

Page 1 of 4

Date: 27 August 2020

GW-DD LTH (LONG THROW HORIZONTAL) ATRIUM



Water Distribution

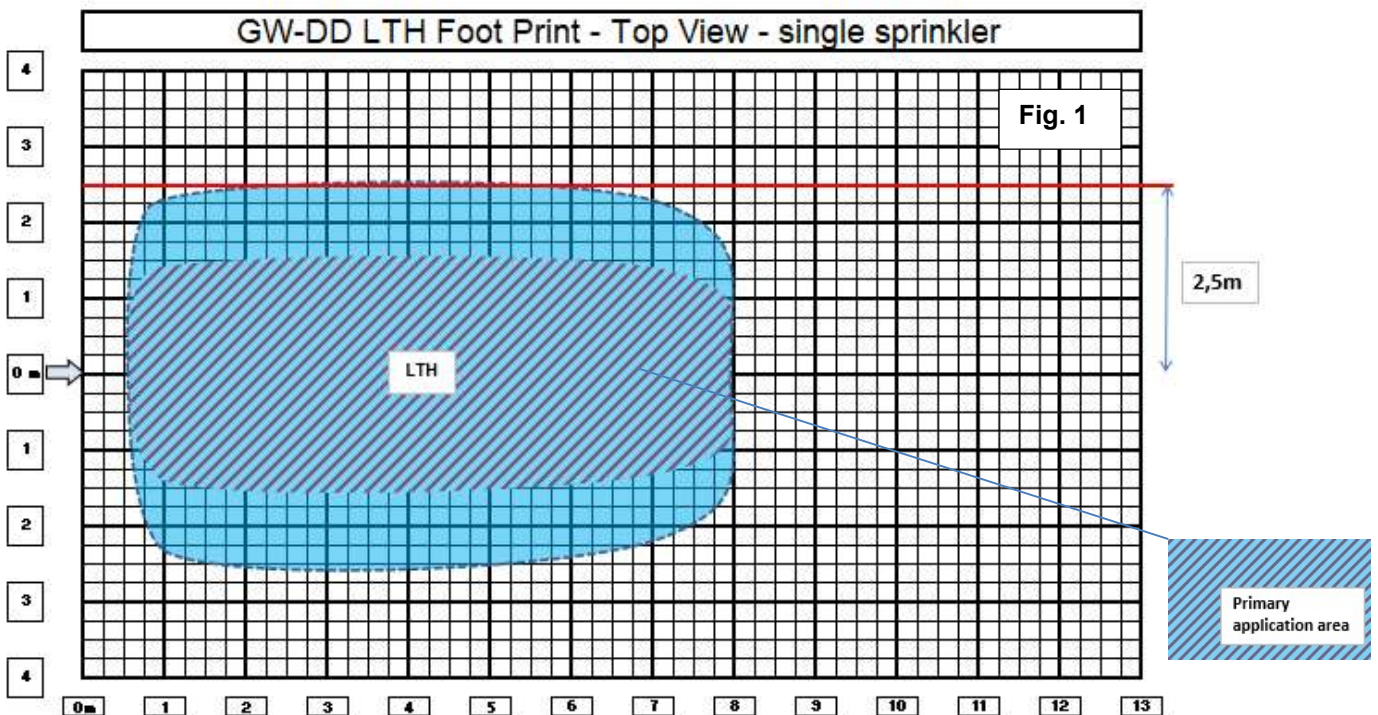
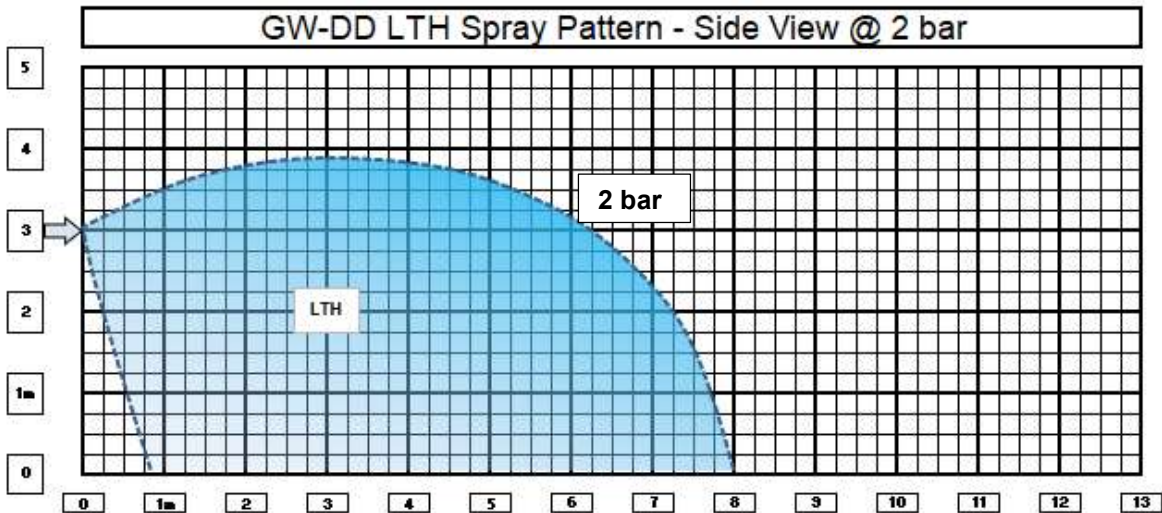
For 2 bar water pressure, mounted 3m above floor level:

Single sprinkler (Fig.1)

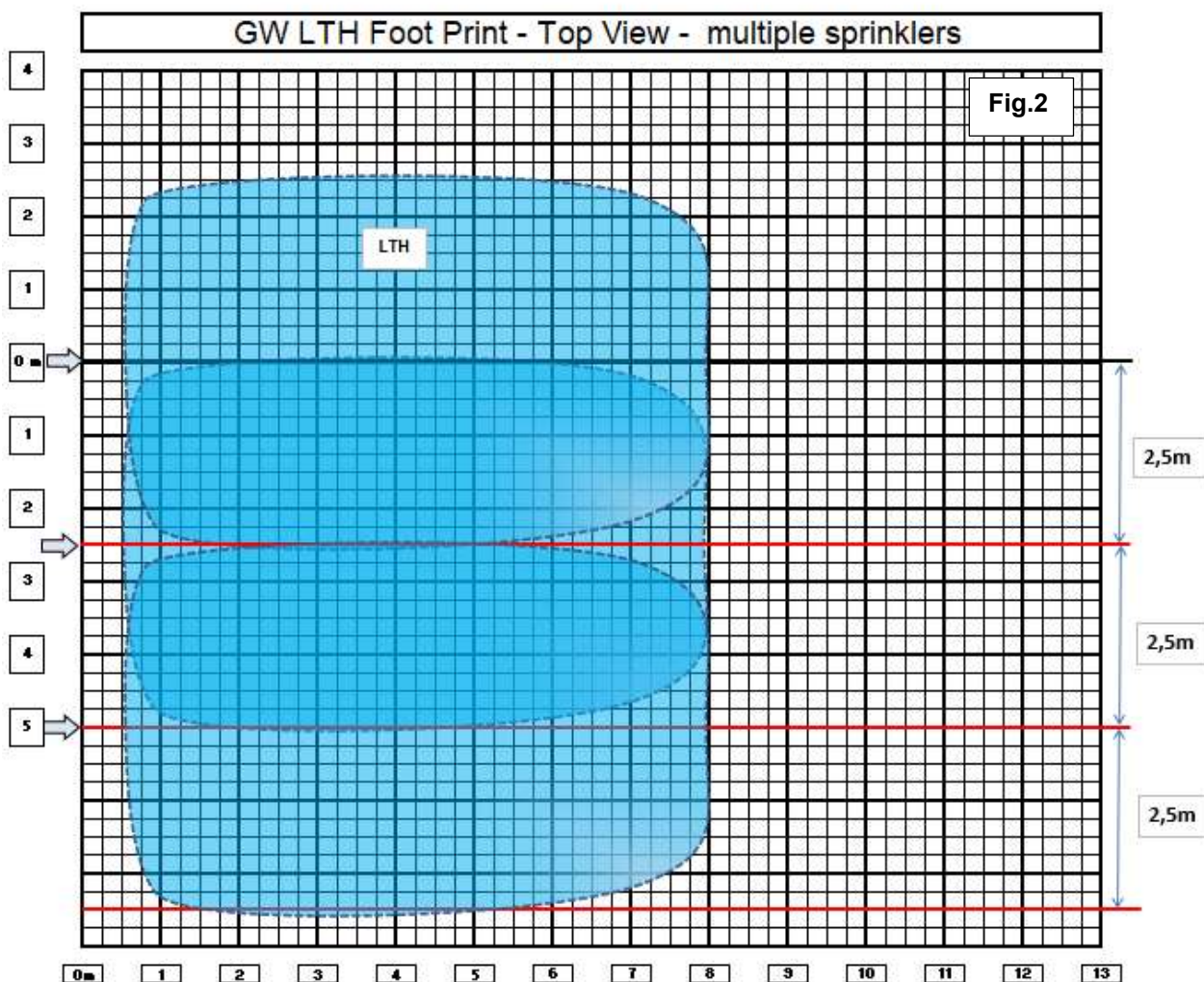
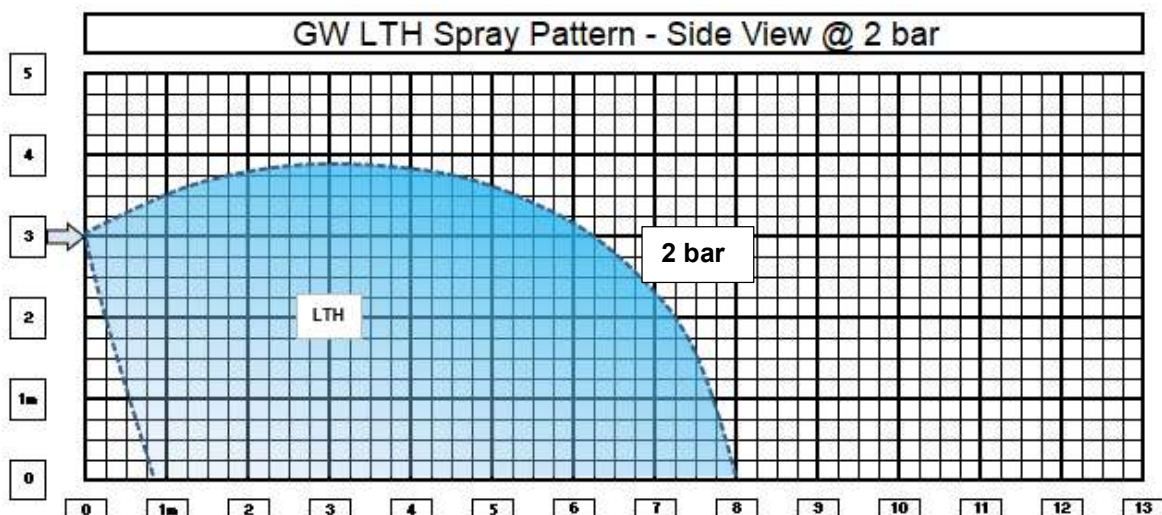
Wetted coverage: 5 x 8m (average density 2,5mm/min)
Primary application area: 3 x 8 m (red line shaded area)

Multiple sprinklers (Fig. 2)

5mm/min (@ 2,5m spacing)

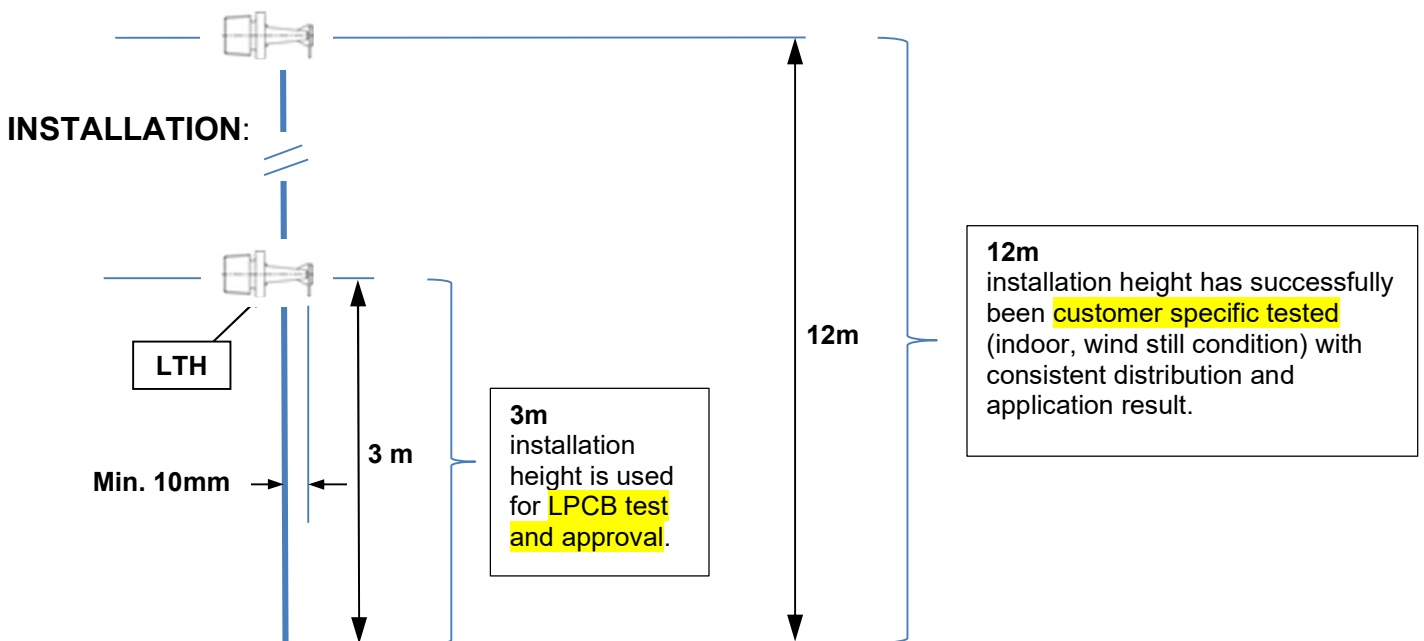
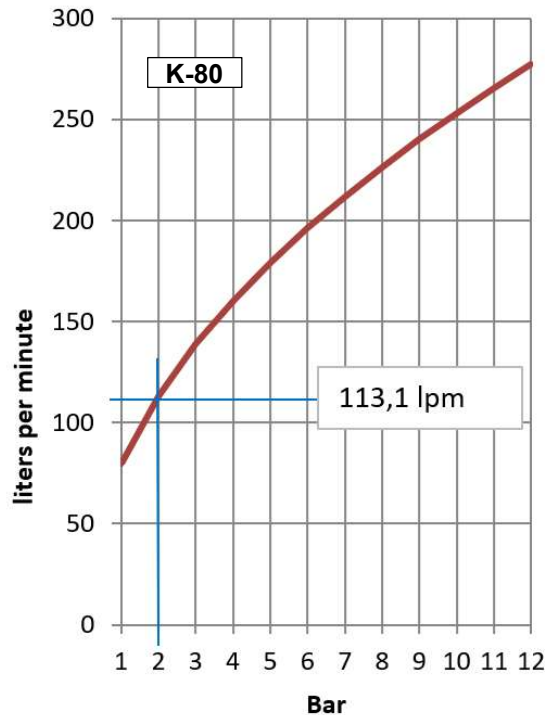


GW-DD LTH (LONG THROW HORIZONTAL) ATRIUM



GW-DD LTH (LONG THROW HORIZONTAL) ATRIUM

PRESSURE / FLOW CHART:



The GW-DD LTH nozzle is installed horizontally with the 5 deflector tines directed downwards. For esthetical appearance the GW-DD LTH can be recessed/hidden in the wall to allow min.10mm protrusion of the deflector from the wall surface.

