

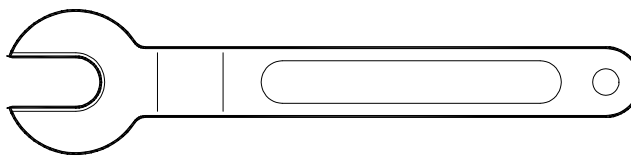
SPRINKLER ACCESSORIES

SPRINKLER SPANNERS

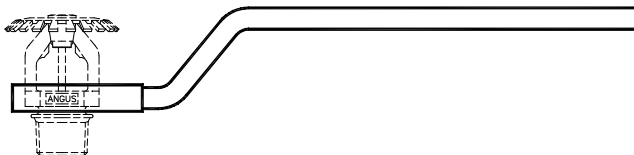


GW SPRINKLER A/S

Plain Spanner GW S head

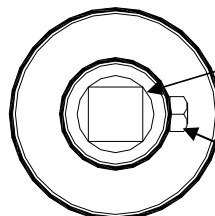
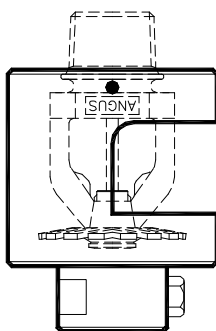


Material: Cast Iron
Finish : Painted White



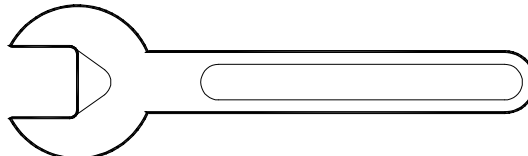
Box Spanner GW S heads

Material: Steel
Finish : Zn Plated

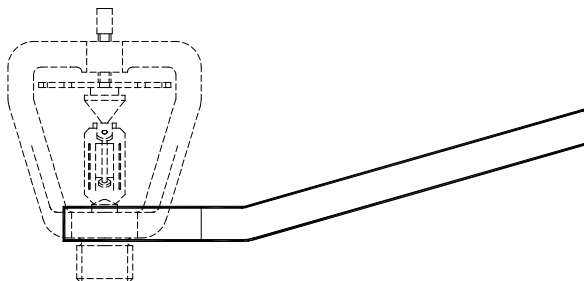


Square to suit 1/2" (12.5mm) Socket

M5 Locking Screw
8mm A/F



GW ESFR



Note:

It is important when installing sprinklers to always use the correct sprinkler spanner.
Failure to do so is liable to damage the sprinklers.

The right is reserved to vary or modify any specifications without prior notice.

GW SPRINKLER A/S
Kastanievej 15, DK 5620-Glamsbjerg, Denmark
TEL: +45 64722055 FAX: +45 64722255
Email: sales.dep@gwspinkler.com
Data sheet also available at www.gwspinkler.com

Data Sheet: Sprinkler Spanners

Page: 1 of 2
Date: 14th June 2007

DATA SHEET No: **GW SA050 1001 A**

SPRINKLER ACCESSORIES

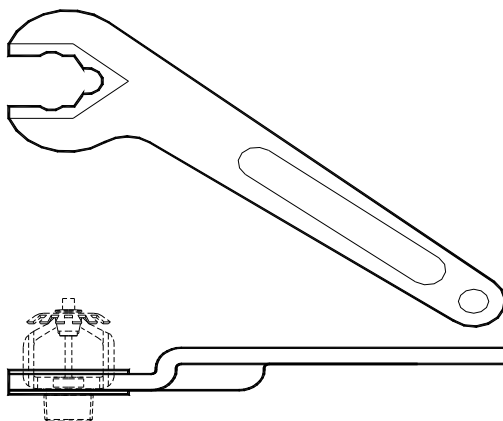
SPRINKLER SPANNERS



GW SPRINKLER A/S

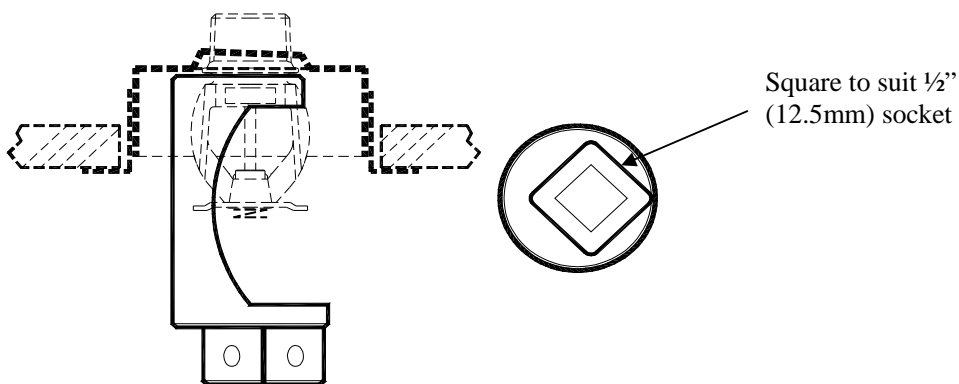
GW ELO

Material: Cast Al.Alloy
Finish : Natural



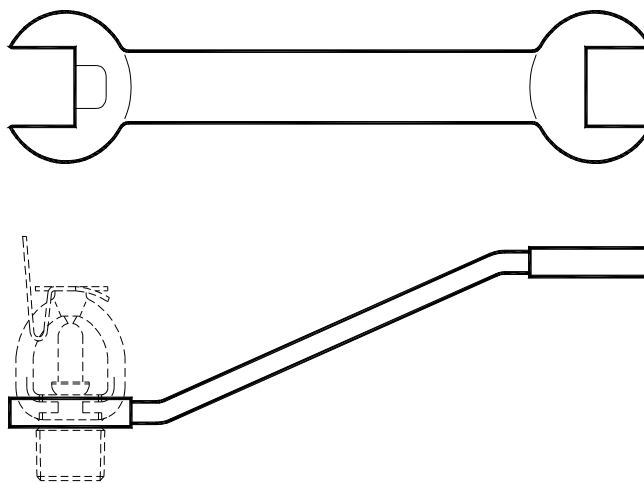
Box Spanner GW Concealed

Material: Steel
Finish : Plated



GW H Series

Material: Steel
Finish : Black



Note:

It is important when installing sprinklers to always use the correct sprinkler spanner.
Failure to do so is liable to damage the sprinklers.

The right is reserved to vary or modify any specifications without prior notice.

GW SPRINKLER A/S
Kastanievej 15, DK 5620-Glamsbjerg, Denmark
TEL: +45 64722055 FAX: +45 64722255
Email: sales.dep@gwspinkler.com
Data sheet also available at www.gwspinkler.com

Data Sheet: Sprinkler Spanners

Page: 2 of 2
Date: 14th June 2007

DATA SHEET No: GW SA050 1001 A