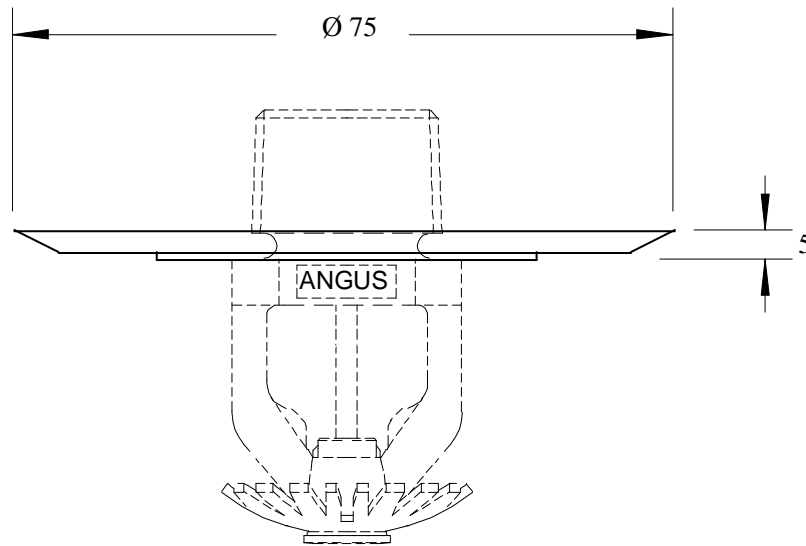


# SINGLE PIECE ROSETTE MODEL S2



GW SPRINKLER A/S



## TECHNICAL SPECIFICATION

|               |  |
|---------------|--|
| MATERIAL:     | Pressed Steel  |
| CENTRE HOLE:  | GW single piece rosettes are available with either a plain centre hole (Ø22 - 15mm BSPT clearance) or a threaded centre hole which allows the rosette to be screwed up or down the sprinkler thread enabling the rosette to be screwed up flush to the ceiling tile. |
| FINISHES:     | Polished Stainless Steel<br>Painted white (RAL 9010 / BS 4800 00E55)<br>(Other colours to special order)   |
| WEIGHT:       | 15g (without sprinkler)  |
| APPLICATION:  | Suitable for use with GW S range 15mm BSP threaded sprinkler heads – standard and quick response.  |
| INSTALLATION: | Polished rosettes are delivered with a thin clear plastic film protecting the outer surface, which must be removed during installation.  |

The right is reserved to vary or modify any specifications without prior notice.

### GW SPRINKLER A/S

Kastanievej 15, DK 5620-Glamsbjerg, Denmark

TEL: +45 64722055 FAX: +45 64722255

Email: [sales.dep@gwspinkler.com](mailto:sales.dep@gwspinkler.com)

Data sheet also available at [www.gwspinkler.com](http://www.gwspinkler.com)

DATA SHEET No: **GW SA005 1001 A**

Data Sheet: Single piece rosette

Page: 1 of 1

Date: 14<sup>th</sup> June 2007