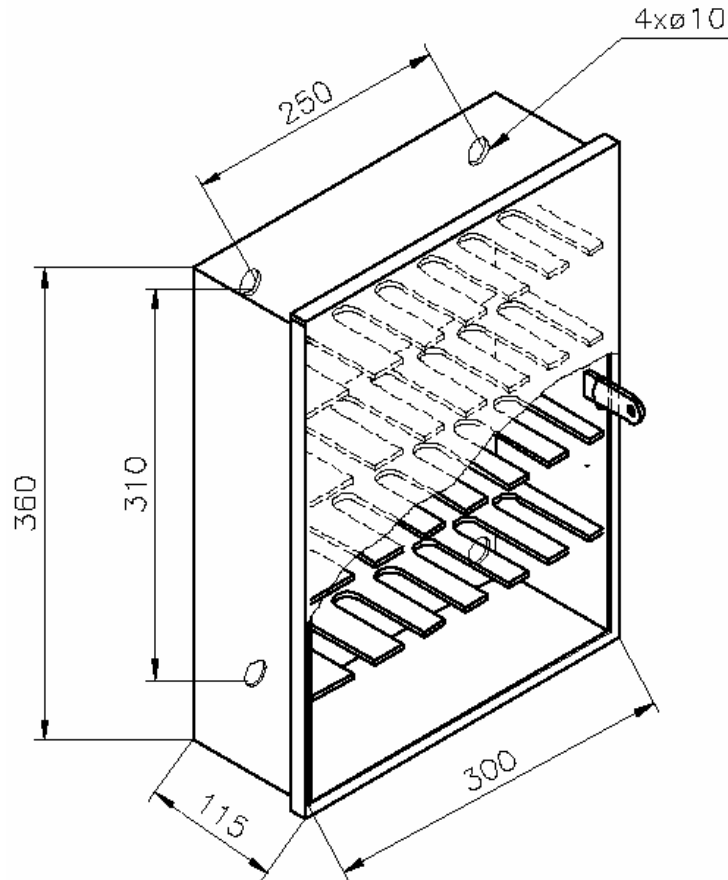


SPRINKLER ACCESSORIES
SPRINKLER SPARES BOX
48 SPRINKLERS PLUS SPANNER



Material: Mild Steel

Finish: Painted Red

The right is reserved to vary or modify any specifications without prior notice.

GW SPRINKLER A/S
Kastanievej 15, DK 5620-Glamsbjerg, Denmark
TEL: +45 64722055 FAX: +45 64722255
Email: sales.dep@gwspinkler.com
Data sheet also available at www.gwspinkler.com

DATA SHEET No: GW SA055 1002 A

Data Sheet: Spares Box 48 Heads

Page: 1 of 1
Date: 14th June 2007